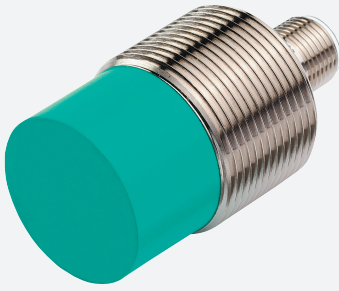


Inductive sensor

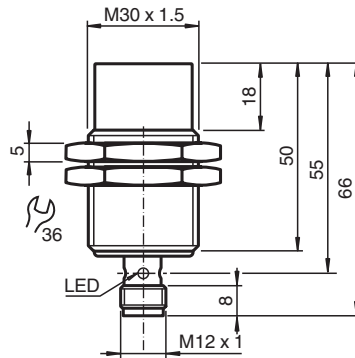
NBN15-30GS50-Z4L-V1-3G-3D



- 15 mm non-flush
- 2-wire DC sensor with minimum off-state current
- Switching status indicator, yellow LED
- ATEX-approval for zone 2 and zone 22
- Stainless steel housing



Dimensions



Technical Data

General specifications		
Switching function		Normally open (NO)
Output type		Two-wire with minimum off-state current
Rated operating distance	s_n	15 mm
Installation		non-flush
Output polarity		DC
Assured operating distance	s_a	0 ... 12.2 mm
Actual operating distance	s_r	13.5 ... 16.5 mm typ.
Reduction factor r_{AI}		0.4
Reduction factor r_{Cu}		0.35
Reduction factor r_{304}		0.7
Output type		2-wire
Nominal ratings		
Operating voltage	U_B	4 ... 30 V
Switching frequency	f	0 ... 700 Hz
Hysteresis	H	1 ... 10 typ. 5 %
Reverse polarity protection		yes

Release date: 2023-06-21 Date of issue: 2023-06-21 Filename: 70134926-0012_eng.pdf

Refer to "General Notes Relating to Pepperl+Fuchs Product Information".

Pepperl+Fuchs Group
www.pepperl-fuchs.com

USA: +1 330 486 0001
fa-info@us.pepperl-fuchs.com

Germany: +49 621 776 1111
fa-info@de.pepperl-fuchs.com

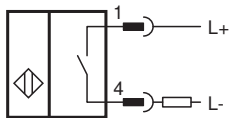
Singapore: +65 6779 9091
fa-info@sg.pepperl-fuchs.com

PEPPERL+FUCHS

Technical Data

Short-circuit protection		pulsing
Voltage drop	U_d	$\leq 4 \text{ V}$
Operating current	I_L	2 ... 30 mA
Lowest operating current	I_m	2 mA
Off-state current	I_r	$\leq 200 \mu\text{A}$
Switching state indicator		Multihole-LED, yellow
Functional safety related parameters		
MTTF _d		1536 a
Mission Time (T _M)		20 a
Diagnostic Coverage (DC)		0 %
Compliance with standards and directives		
Standard conformity		
Standards		EN 60947-5-2:2007 EN 60947-5-2/A1:2012 IEC 60947-5-2:2007 IEC 60947-5-2 AMD 1:2012
Approvals and certificates		
IECEX approval		
Equipment protection level Gc		IECEX TUR 21.0017X
Equipment protection level Dc		IECEX TUR 21.0018X
ATEX approval		
Equipment protection level Gc		TÜV 20 ATEX 8523 X
Equipment protection level Dc		TÜV 20 ATEX 8524 X
UL approval		cULus Listed, General Purpose, Class 2 Power Source
Ambient conditions		
Ambient temperature		-25 ... 70 °C (-13 ... 158 °F)
Storage temperature		-40 ... 85 °C (-40 ... 185 °F)
Mechanical specifications		
Connection type		Connector plug M12 x 1 , 4-pin
Housing material		Stainless steel 1.4305 / AISI 303
Sensing face		PBT
Degree of protection		IP67
Mass		165 g
General information		
Scope of delivery		2 self locking nuts in scope of delivery

Connection



Connection Assignment

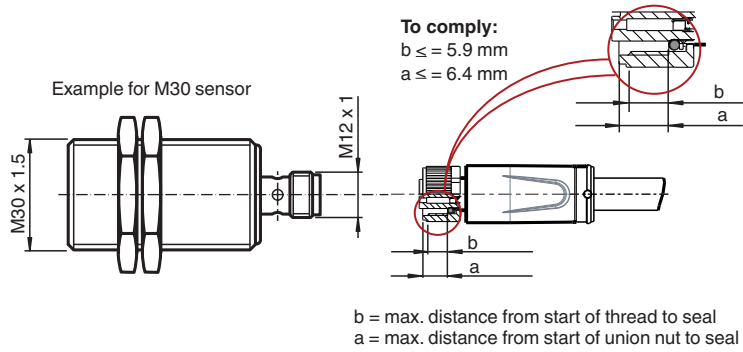


Wire colors in accordance with EN 60947-5-2

1	BN	(brown)
2	WH	(white)
3	BU	(blue)
4	BK	(black)

Installation

Requirement for male cordset to achieve IP degree of protection



Accessories

	<p>BF 30</p>	<p>Mounting flange, 30 mm</p>
--	---------------------	-------------------------------

Release date: 2023-06-21 Date of issue: 2023-06-21 Filename: 70134926-0012_eng.pdf